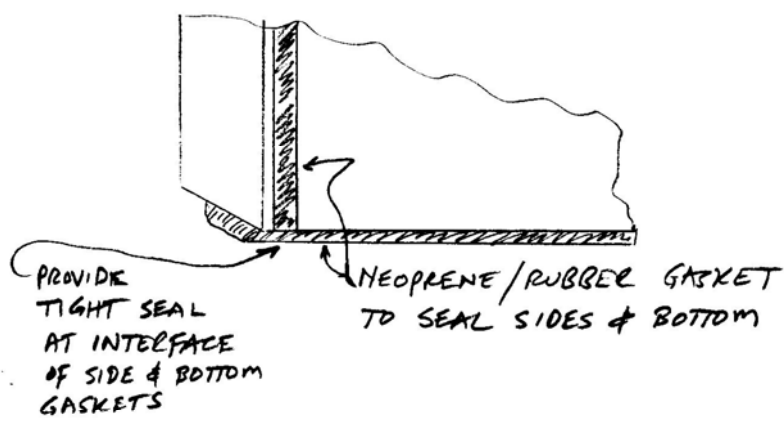


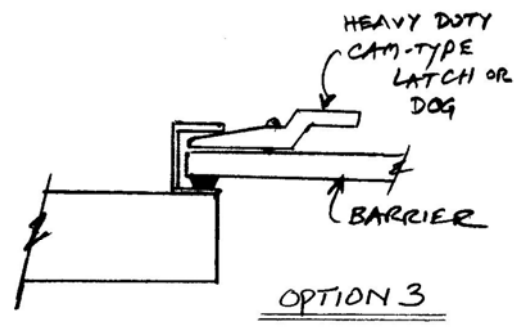
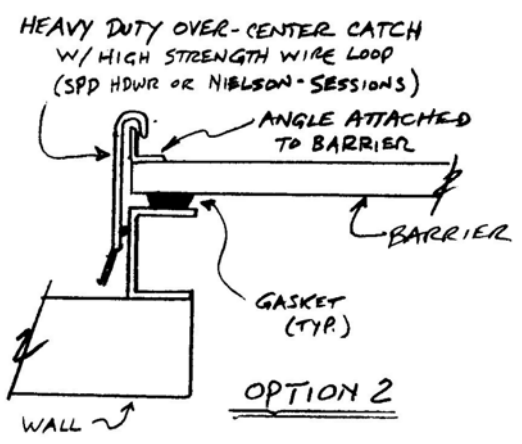
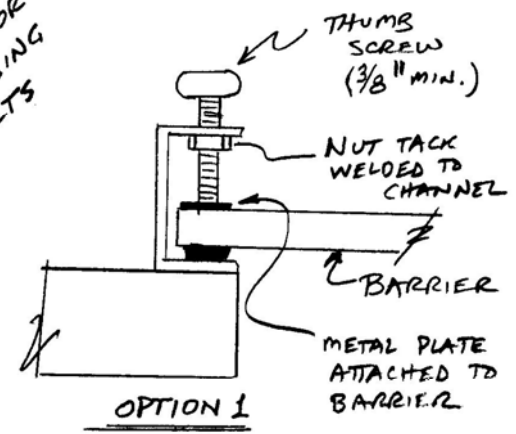
PLAN VIEW OF BARRIER

PLACE FLOOD BARRIER  
SO DOORS MAY BE  
OPENED WHILE BARRIER  
IS IN PLACE

SUGGESTED  
OPTIONS FOR  
COMPRESSING  
GASKETS



ISOMETRIC VIEW OF GASKETS



TOWN OF SAN ANSELMO  
BUILDING DEPARTMENT  
FLOOD BARRIER  
CONCEPTUAL DESIGNS

KEITH ANGERMAN, P.E. LATEST REV. 2/8/06  
BUILDING OFFICIAL