



525 San Anselmo Avenue, San Anselmo, CA 94960-2682
www.townofsananselmo.org
(415) 258-4600 | Fax (415) 459-2477

REQUIREMENT TO INSTALL EROSION AND SEDIMENT CONTROL

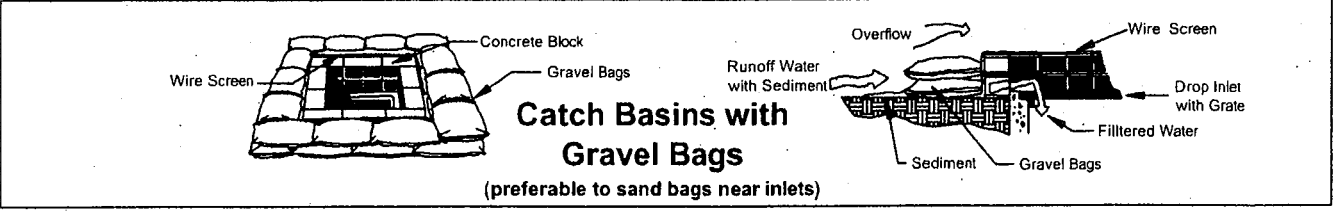
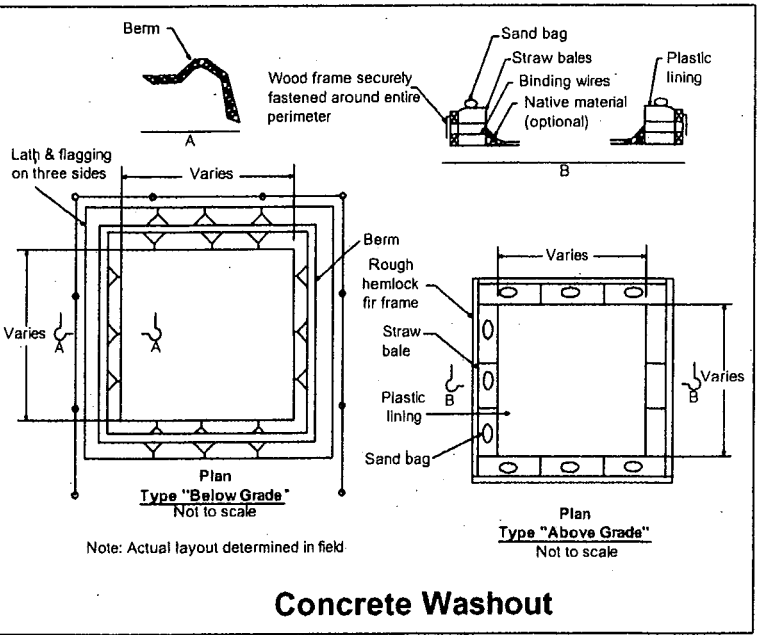
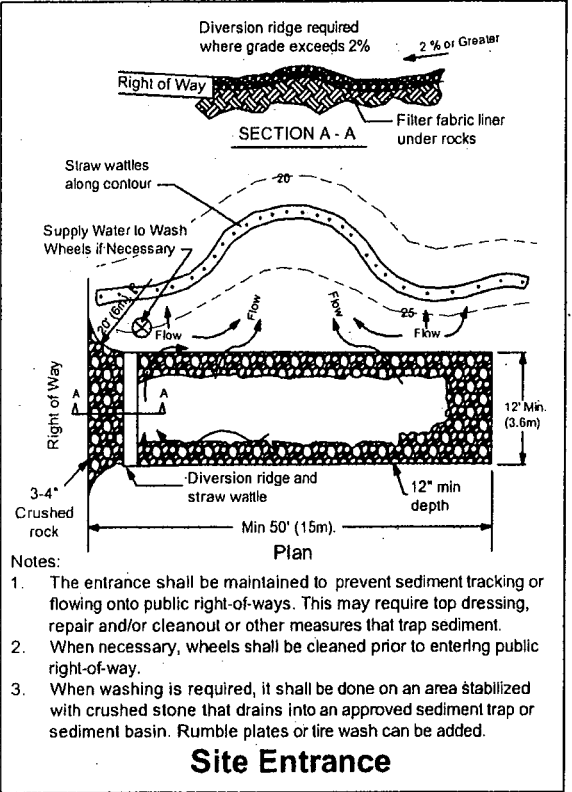
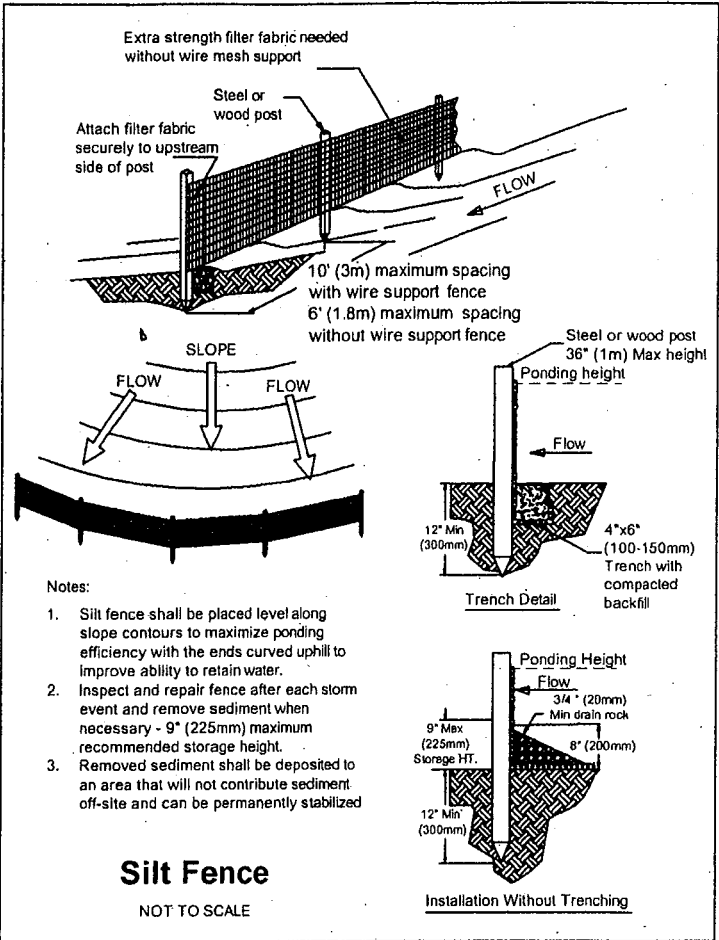
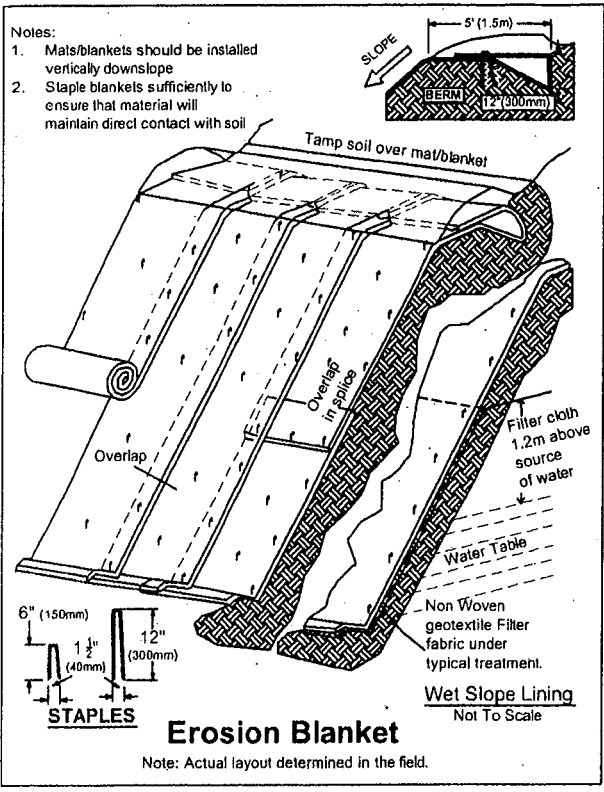
To All Concerned Parties:

This is an advisory letter to all property owners that have a construction project underway or recently completed one on their property. All disturbed or recently graded property surfaces, including but not limited to cut and fill slopes, building pads, driveways, and areas of cleared vegetation, must be protected against erosion by best management practice measures appropriate for the site, phase of construction, and weather conditions. All such measures shall be completely implemented by October 15 and shall be maintained and modified to remain effective throughout the rainy season, which ends on April 15.

Failure to properly implement and maintain erosion and sediment control measures may result in grading prohibition, building inspection "holds", or other action as determined by the Town of San Anselmo in accordance with Chapter 5, Title 8 – Reduction of Pollutants in Urban Runoff, of the Town's Municipal Code

A general overview of erosion control measures that must be taken are provided on the Marin County Stormwater Pollution Prevention Program (MCSTOPPP) website: <http://mcstoppp.org>. The attachments detail minimum erosion control/sediment control measures for construction projects with less than 1-acre of disturbed land. This attachment can also be found on the MCSTOPPP website at the following link: http://mcstoppp.org/acrobat/MECM_final_2009.pdf

Specific control measures shall be in accordance with the erosion control plan required as part of the approved construction drawings issued for your project and/or in general accordance with the "Manual of Standards for Erosion and Sediment Control Measures" published by the Association of Bay Area Governments. A link to this document is provided on the MCSTOPPP website. Note that other agencies, such as the Regional Water Quality Control Board, may have additional requirements.



If you require materials in alternative formats, please contact:
 415-473-4381 voice/TTY or disabilityaccess@co.marin.ca.us